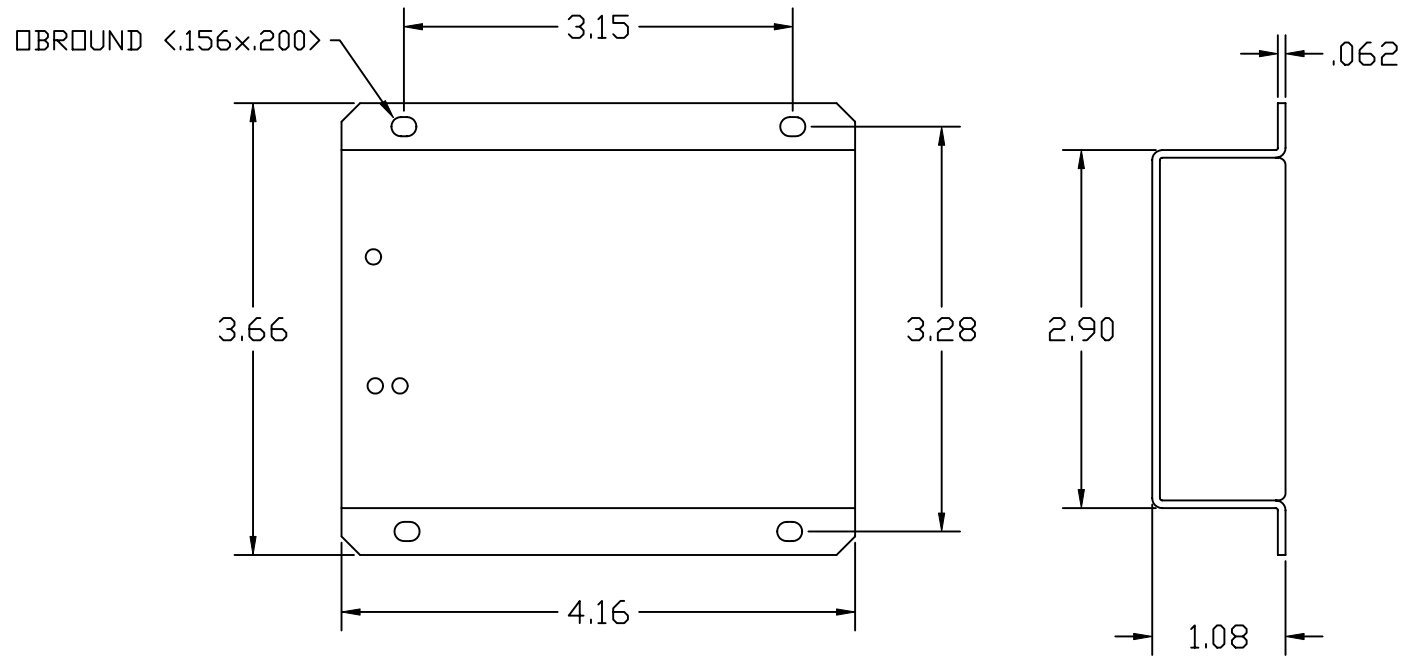



REVISION		
ISSUE	ECD	APPR./DATE



Material:	 ELCOMMTECH CORP.				
UNLESS OTHERWISE SPECIFIED DIMENSIONS ARE IN INCHES	TITLE ECT100 FM VIDEO RX INSTALLATION DRAWING				
Unless otherwise specified tolerances are:	Approvals	Date	Size	Drawing	Rev.
Decimals: .xx ± .01	Designer	AL	8 OCT/02	B	100 FM RX INST
.xxx ± .005	Drawn by	AL	Scale	FILE:	Sheet 1 of 1
Fractions: ± 1/64"	Checked by	VL	1:1	Used on:	
Angles: ± 1/2°	Engr.	YL			
Finish:					

Confidential property of ELCOMMTECH CORP., not to be disclosed to others, reproduced or used for any purpose, except as authorized in writing by ELCOMMTECH CORP. Must be returned to ELCOMMTECH CORP. upon demand, completion of order or purpose for which lent.